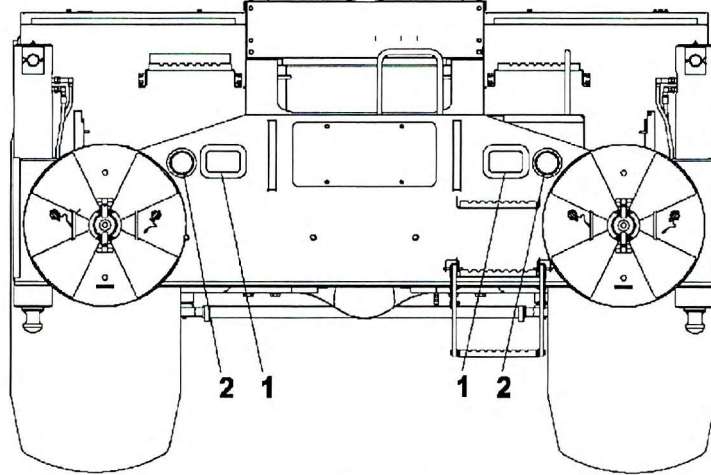
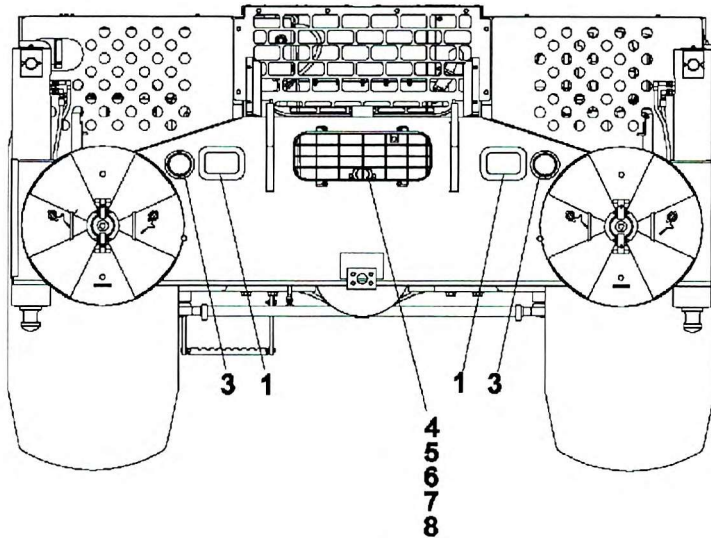


# Manitowoc Cranes



**FRONT VIEW CARRIER**  
HEADLIGHTS & TURNMARKER LIGHTS



**REAR VIEW CARRIER**  
BACKUP LIGHTS, STOP/TURN/TAIL  
LIGHTS & BACKUP ALARM